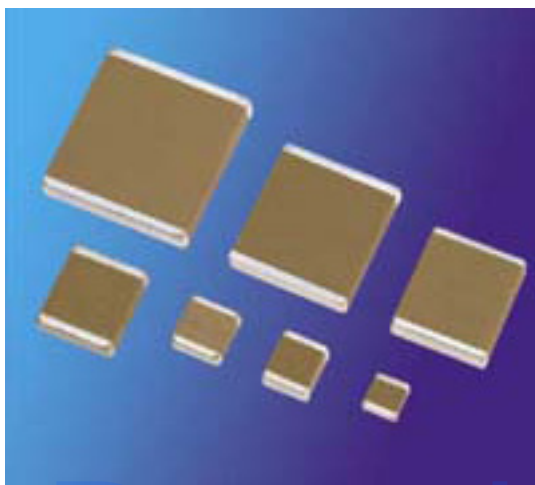


High Temperature SMT Capacitors 200°C



KEY FEATURES:

- For Use at Temperatures Up to 200°C
- Rated Working Voltages from 50V to 200V
- MLC Designs Utilizing Military Grade Ceramics
- Custom Sizes, Values, and Voltages Available

APPLICATIONS:

- For Use in High Temperature Applications, Such as:
 - Oil Well Logging (Downhole)
 - Geophysical Probes
 - Jet Engine Controls

Datasheet.World



Capacitance / Voltage Selection

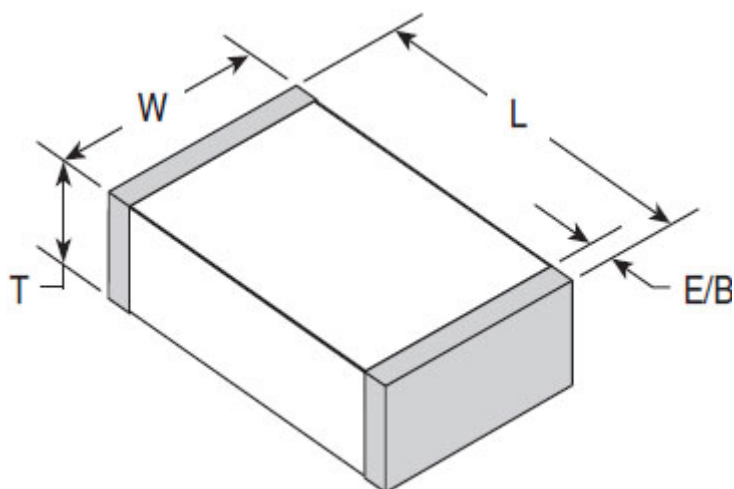
Case Size	NPO Max Capacitance			X7R Max Capacitance		
	50V	100V	200V	50V	100V	200V
T14 / 0603	330 pF	220 pF	120 pF	5600 pF	3900 pF	2200 pF
T15 / 0805	1500 pF	1000 pF	680 pF	0.027 μ F	0.018 μ F	0.010 μ F
T18 / 1206	3300 pF	2200 pF	1500 pF	0.056 μ F	0.047 μ F	0.023 μ F
T41 / 1210	5600 pF	4700 pF	3900 pF	0.120 μ F	0.100 μ F	0.068 μ F
T43 / 1812	0.012 μ F	0.010 μ F	8200 pF	0.270 μ F	0.220 μ F	0.150 μ F
T49 / 1825	0.027 μ F	0.022 μ F	0.018 μ F	0.560 μ F	0.470 μ F	0.290 μ F
T48 / 2225	0.039 μ F	0.033 μ F	0.022 μ F	0.820 μ F	0.680 μ F	0.470 μ F

Dielectric Characteristics

	NPO Dielectric	X7R Dielectric
Temperature Coefficient:	0 \pm 30 ppm, -55 to 125°C	0 \pm 15%, -55 to 125°C
Cap Drop at 200C	minus 0.5% max	minus 45% max
Dissipation Factor:	.001 (0.1%) max, 1Khz, 25°C	.025 (2.5%) max, 1KHz, 25°C
Insulation Resistance @ 25C	1000 Ω F or 100 G Ω , whichever is less @ 25C, WVDC	1000 Ω F or 100 G Ω , whichever is less @ 25°C, WVDC
Insulation Resistance @ 200C	1 Ω F or 100 M Ω , whichever is less @200°C, WVDC	1 Ω F or 100 M Ω , whichever is less @ 200°C, WVDC
Dielectric Strength:	2.5 X WVDC, 25°C, 50 mA max	2.5 X WVDC, 25°C, 50 mA max
Test Parameters:	1Khz \pm 50Hz, 1.0 \pm 0.2 VRMS, 25°C	1Khz \pm 50Hz, 1.0 \pm 0.2 VRMS, 25°C

Mechanical Characteristics

Case Size	T (max)		W (10%)		L (10%)		E/B	
	mm.	in.	mm.	in.	mm.	in.	mm.	in.
T14 / 0603	0.89	0.035	0.81	0.032	1.6	0.063	0.25	0.010 ± .005
T15 / 0805	1.27	0.050	1.27	0.050	2.03	0.080	0.51	0.020 ± 0.010
T18 / 1206	1.4	0.055	1.57	0.062	3.18	0.125	0.51	0.020 ± 0.010
T41 / 1210	2.03	0.080	2.41	0.095	3.18	0.125	0.51	0.020 ± 0.010
T43 / 1812	2.79	0.110	3.18	0.125	4.45	0.175	0.64	0.025 ± 0.015
T49 / 1825	3.56	0.140	6.35	0.250	4.57	0.180	0.64	0.025 ± 0.015
T48 / 2225	3.81	0.150	6.35	0.250	5.72	0.225	0.64	0.025 ± 0.015





How to Order

