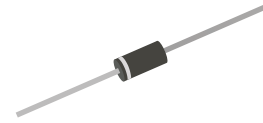


## A1N5404G-G

Voltage: 400 V

Current: 3.0 A

RoHS Device

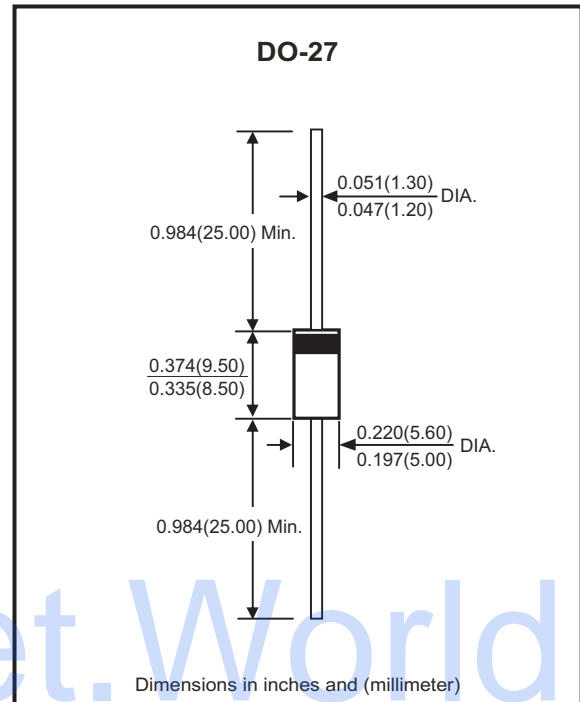


### Features

- Glass passivated rectifiers.
- Low forward voltage drop.
- Low reverse leakage current.
- High current capability.
- Comply with AEC-Q101

### Mechanical data

- Case: JEDEC DO-27 molded plastic.
- Epoxy: UL 94V-0 rate flame retardant.
- Polarity: Color band denotes cathode.
- Mounting position: Any.
- Weight: 1.1 grams.



### Maximum Ratings and Electrical Characteristics

Ratings at 25°C ambient temperature unless otherwise specified.  
Single phase, half wave, 60Hz, resistive or inductive load.  
For capacitive load, derate current by 20%.

Parameter	Symbol	A1N5404G-G	Unit
Maximum recurrent peak reverse voltage	V <sub>RRM</sub>	400	V
Maximum RMS voltage	V <sub>RMS</sub>	280	V
Maximum DC blocking voltage	V <sub>DC</sub>	400	V
Maximum average forward rectified current @T <sub>A</sub> =55°C	I <sub>F(AV)</sub>	3.0	A
Peak forward surge current, 8.3ms single half sine-wave superimposed on rated load (JEDEC method)	I <sub>FSM</sub>	125	A
Maximum forward voltage @3.0A DC	V <sub>F</sub>	1.1	V
Maximum DC reverse current at rated DC blocking voltage	@T <sub>J</sub> =25°C	5.0	μA
	@T <sub>J</sub> =100°C	200	
Typical junction capacitance (Note 1)	C <sub>J</sub>	50	pF
Typical thermal resistance (Note 2)	R <sub>θJA</sub>	15	°C/W
Operating temperature range	T <sub>J</sub>	-55 to +150	°C
Storage temperature range	T <sub>STG</sub>	-55 to +150	°C

**NOTES:**

1. Measured at 1.0MHz and applied reverse voltage of 4.0V DC.
2. Thermal resistance junction to ambient.

## Rating and Characteristic Curves (A1N5404G-G)

Fig.1 - Forward Current Derating Curve

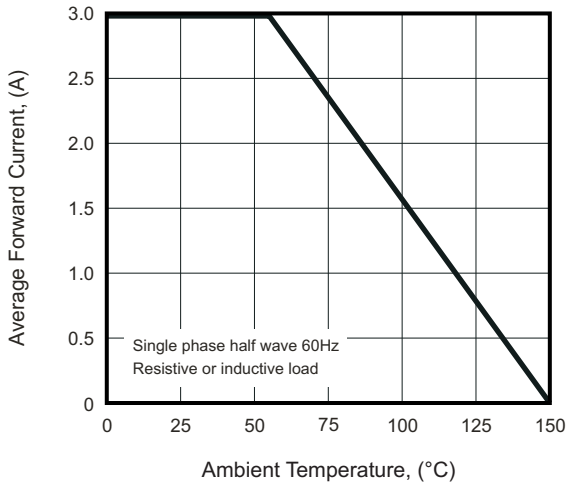


Fig.2 - Max. Non-repetitive Surge Current

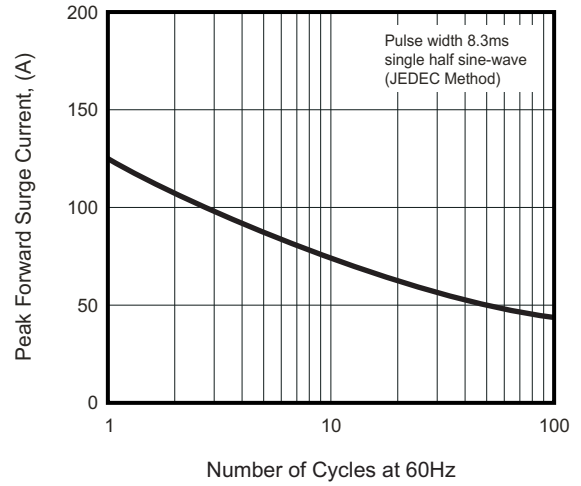


Fig.3 - Typical Junction Capacitance

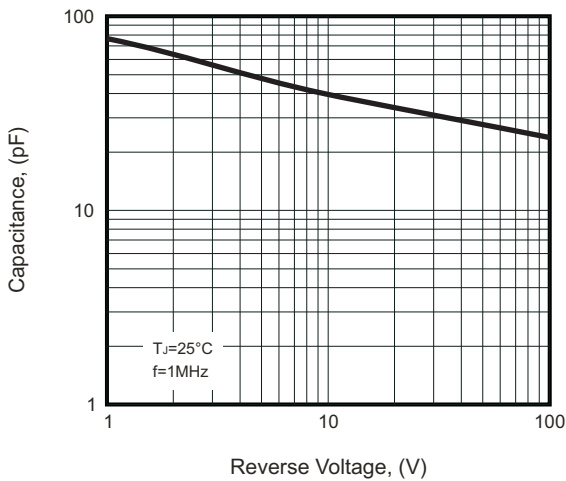
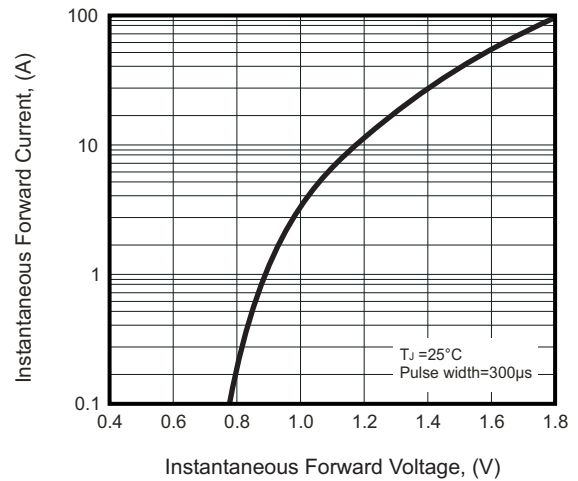
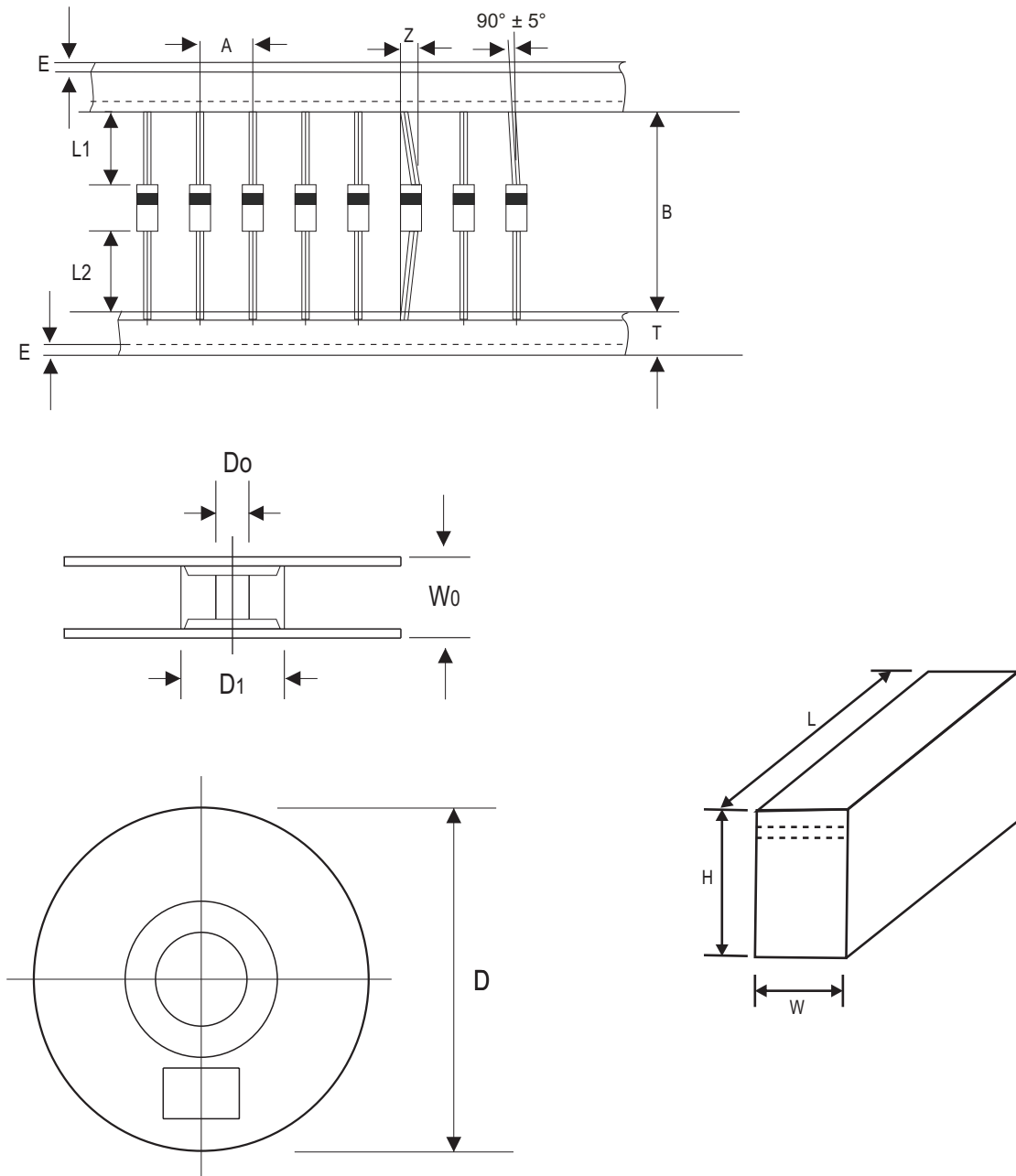


Fig.4 - Typical Forward Characteristics



## Taping Specification For Axial Lead Diodes



DO-27 (DO-201AD)	SYMBOL	A	B	Z	T	E	L1	L2
	(mm)	$10.00 \pm 0.50$	$52.00 \pm 0.50$	1.20 (max)	$6.00 \pm 0.40$	0.80 (max)	1.00 (max)	1.00 (max)
	(inch)	$0.394 \pm 0.020$	$2.047 \pm 0.020$	0.047 (max)	$0.236 \pm 0.016$	0.031 (max)	0.039 (max)	0.039 (max)

DO-27 (DO-201AD)	SYMBOL	D1	D0	D	W0	L	W	H
	(mm)	$85.70 \pm 0.30$	$16.60 \pm 0.40$	330.00	$79.00 \pm 1.00$	$255.00 \pm 5.00$	$78.00 \pm 5.00$	$95.00 \pm 5.00$
	(inch)	$3.374 \pm 0.012$	$0.654 \pm 0.016$	12.992	$3.110 \pm 0.039$	$10.039 \pm 0.197$	$3.071 \pm 0.197$	$3.740 \pm 0.197$

Company reserves the right to improve product design, functions and reliability without notice.

REV:A

## Marking Code

Part Number	Marking code	Packaging
1N5404G-G	1N5404G	AMMO
1N5404GT-G	1N5404G	REEL
1N5404GB-G	1N5404G	BULK



Note:

1) Suffix code after part number to specify packaging item .

Packaging	Code
AMMO PACK	NA
REEL PACK	T
BULK PACK	B

**XX = Product type marking code**

## Standard Packaging

Case Type	AMMO PACK	
	BOX ( pcs )	CARTON ( pcs )
DO-27 (DO-201AD)	1,200	12,000

Case Type	REEL PACK	
	REEL ( pcs )	Reel Size (inch)
DO-27 (DO-201AD)	1,200	13

Case Type	BULK PACK	
	BOX ( pcs )	CARTON ( pcs )
DO-27 (DO-201AD)	500	12,000

Company reserves the right to improve product design , functions and reliability without notice.

REV:A