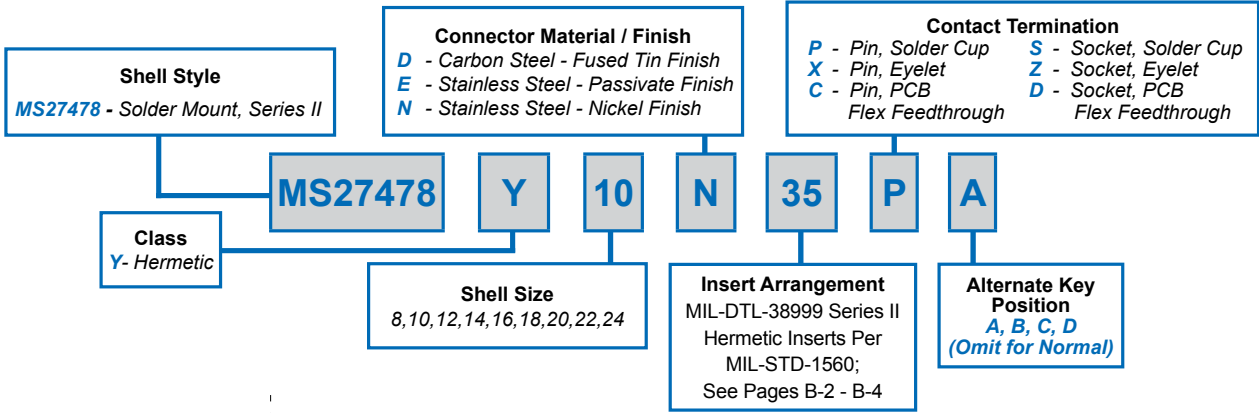


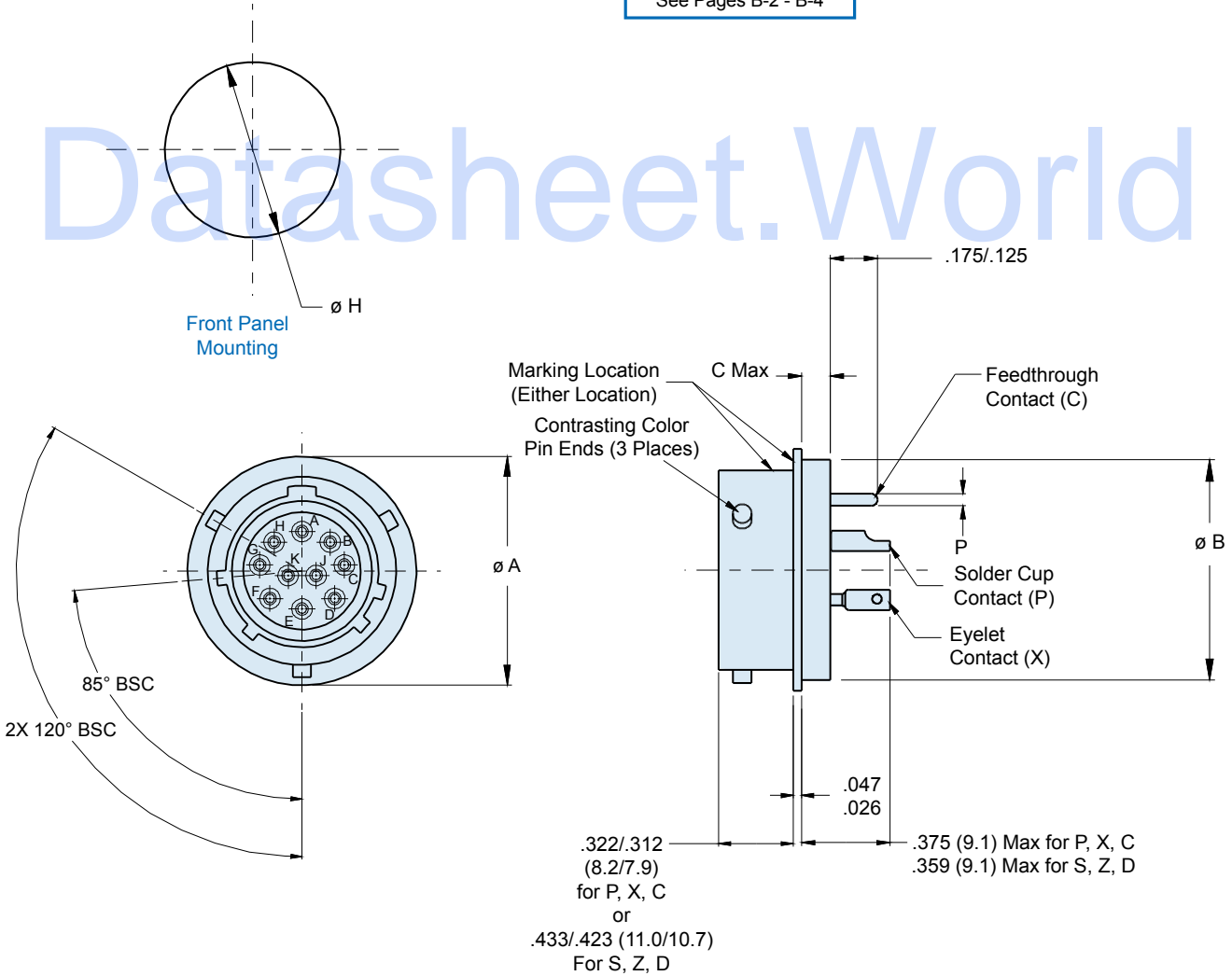
MS27478 Solder Mount Hermetic Receptacle MIL-DTL-38999 Series II

How To Order: *MS*



B

Datasheet.World

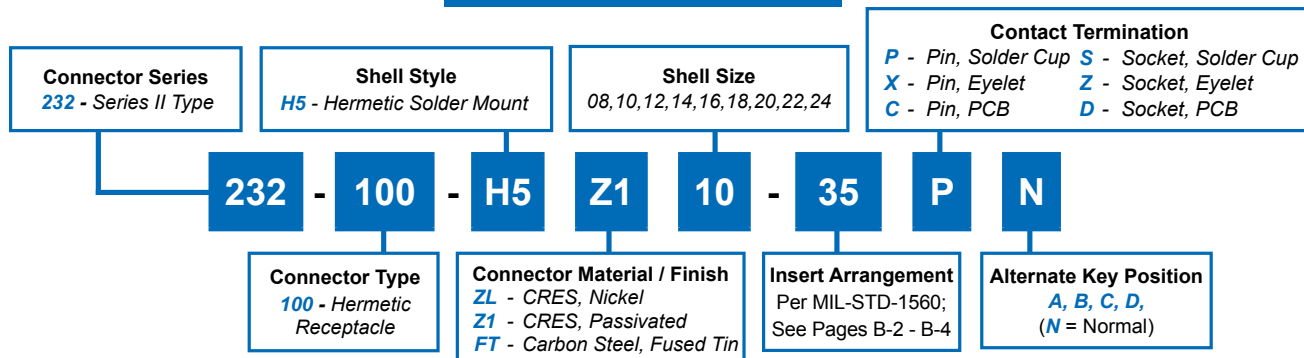


MS27478 Solder Mount Hermetic Receptacle MIL-DTL-38999 Series II



D38999 QPL
Hermetics

How To Order: Commercial



B

TABLE I: CONNECTOR DIMENSIONS

SHELL SIZE	ø A ±.011(0.3)	ø B	C MAX	ø H ±.005(0.1)
8/08	.688(17.5)	.557(14.) .557(14.1)	.125(3.2)	.570(14.5)
10	.798(20.3)	.673(17.1) .667(16.9)		.680(17.3)
12	.907(23.0)	.782(19.9) .776(19.7)		.789(20.0)
14	1.032(26.2)	.907(23.0) .901(22.9)		.914(23.2)
16	1.157(29.4)	1.032(26.2) 1.027(26.1)		1.039(26.4)
18	1.282(32.6)	1.157(29.4) 1.151(29.2)		1.164(29.6)
20	1.376(35.0)	1.251(31.8) 1.245(31.6)		1.258(32.0)
22	1.501(38.1)	1.376(35.0) 1.370(34.8)	.156(4.0)	1.383(35.1)
24	1.626(41.3)	1.501(38.1) 1.495(38.0)		1.508(38.3)

TABLE II: CONTACT SIZE

PRINTED CIRCUIT TAIL CONFIGURATIONS
CONTACT STYLE C AND D

Contact Size	ø P
22D	.011 (0.28) .015 (0.38)
20	.024 (0.61) .028 (0.71)
16	.0635 (1.61) .0615 (1.56)
12	.095 (2.41) .093 (2.36)