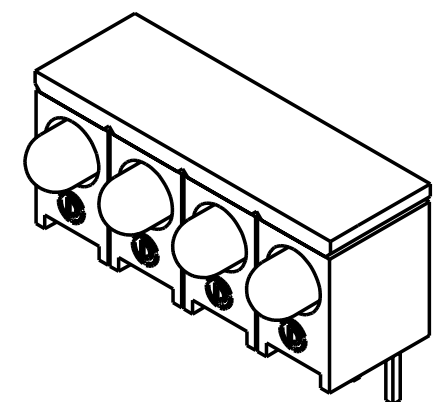
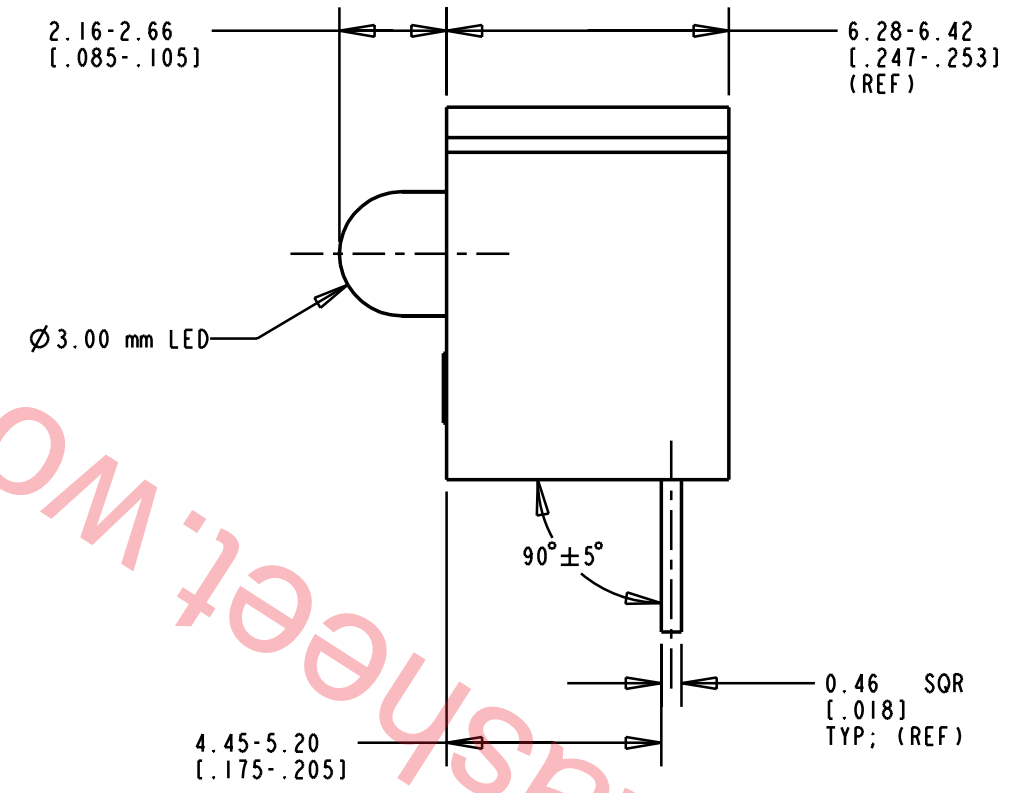
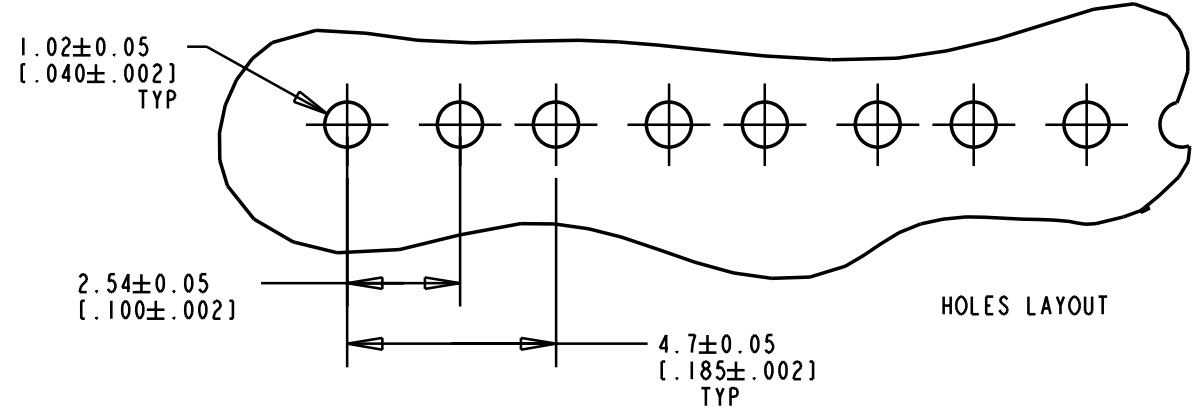
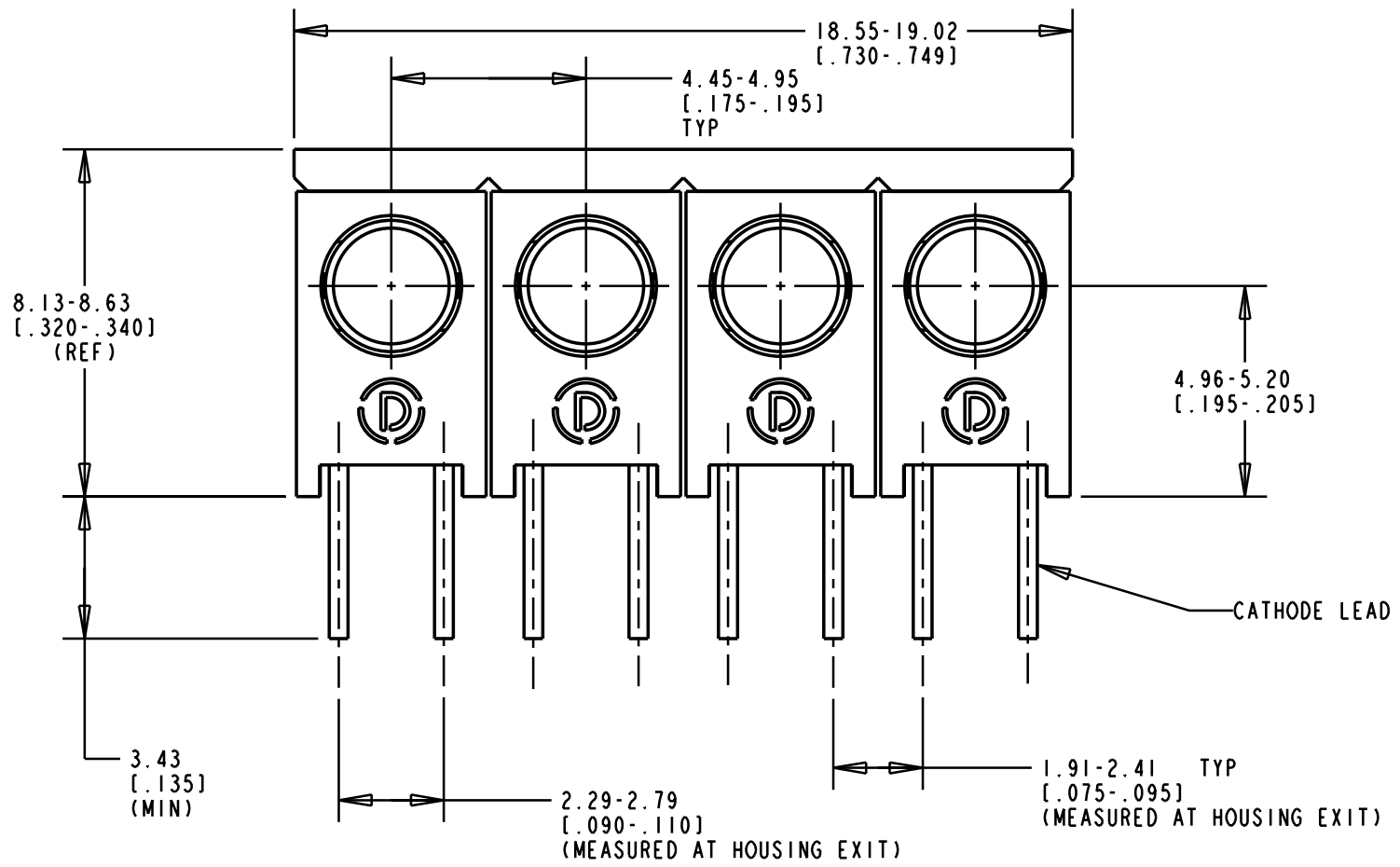


DIALIGHT PART NUMBER	OPERATING CHARACTERISTICS @ T _A = 25°C								
	COLOR	VIEWING ANGLE	FORWARD VOLTAGE (V)		REVERSE VOLTAGE	PEAK WAVELENGTH (nm)	LUMINOUS INTENSITY (mcd)		TEST CONDITIONS
			TYP	MAX		TYP	MIN	TYP	
HLMP-K101-104	AlGaAs RED	60°	1.8	2.2	5 V @ I _R = 100 μA	645	22	45	I _F = 20 mA
HLMP-K150-104	AlGaAs RED		1.6	1.8			1.3	2.0	I _F = 1 mA

REV.	ECN NO.	REVISIONS	DRN.	CKD.	APP.	DATE
A	—	NEW RELEASE	M.C.			

MAXIMUM RATINGS		
	HLMP-K101-104	HLMP-K150-104
D.C. FORWARD CURRENT	30 mA	30 mA
OPERATING TEMPERATURE	-20°C TO +100°C	-20°C TO +100°C
STORAGE TEMPERATURE	-55°C TO +100°C	-55°C TO +100°C
LEAD SOLDERING TEMPERATURE	260°C FOR 5 SEC.	260°C FOR 5 SEC.



SCALE 3.000

THIS DRAWING AND THE CONTENTS HEREIN ARE CONFIDENTIAL AND THE SOLE PROPERTY OF DIALIGHT. REPRODUCTION OF THIS DRAWING OR CONSTRUCTION OF ANY PARTS WITHIN THIS DRAWING ARE FORBIDDEN WITHOUT THE WRITTEN CONSENT OF DIALIGHT.		
SCALE X:X	DRAWING NUMBER	REV
ALL DIM'S IN: INCHES	C-16483	A
TOLERANCES: UNLESS OTHERWISE SPECIFIED	TITLE	
FRACTIONS: ±1/64	Ø 3.00 mm CBI ARRAY, RED	
DECIMALS (.XX): ±.01	MATERIAL	
DECIMALS (.XXX): ±.005		
DECIMALS (.XXXX): ±.0005		
ANGLES: ±1°		
FINISH:	Dialight	1913 ATLANTIC AVE. MANASQUAN, N.J. 08736
FSCM 83330	SHEET OF	FAMILY TABLE:

Mouser Electronics

Authorized Distributor

Click to View Pricing, Inventory, Delivery & Lifecycle Information:

Dialight:

[HLMPK101104F](#) [HLMPK150104F](#)